

# PATENT ABSTRACTS OF JAPAN

(11)Publication number : 11-041752  
(43)Date of publication of application : 12.02.1999

---

(51)Int. Cl. H02G 3/16

H01R 23/68

---

(21)Application number : 09-194121 (71)Applicant : HARNESS SOGO  
GIJUTSU  
KENKYUSHO:KK  
SUMITOMO WIRING  
SYST LTD  
SUMITOMO ELECTRIC  
IND LTD

(22)Date of filing : 18.07.1997 (72)Inventor : YAMANE SHIGEKI

---

## (54) ELECTRICAL JUNCTION BOX

(57)Abstract:

PROBLEM TO BE SOLVED: To improve the degrees of freedom of a circuit arrangement and facilitate the replacement of a printed board.  
SOLUTION: One end 21a of a 1st flexible printed board 21 is connected to a circuit board 5 in cases 1 and 2 of an electrical junction box, and the other end 21b of the flexible printed board 21 is connected to a slot-in connector 19 which is attached to the 1st opening 14 of the case 1. With this constitution, a printed board 13A can be connected detachably by insertion from the outside of the case.

---

## LEGAL STATUS

[Date of request for examination] 01.06.2000

[Date of sending the examiner's  
decision of rejection]

[Kind of final disposal of  
application other than the  
examiner's decision of rejection  
or application converted]

registration]

[Date of final disposal for  
application]

[Patent number] 3236802

[Date of registration] 28.09.2001

[Number of appeal against  
examiner's decision of rejection]

[Date of requesting appeal against  
examiner's decision of rejection]

[Date of extinction of right]

---

## CLAIMS

---

[Claim(s)]

[Claim 1] It is the electric junction box characterized by having connected the other end of this 1st flexible printed circuit board to the slot in connector, and this slot in connector having been attached in the 1st opening of a case, and inserting a printed circuit board free [ attachment and detachment ], and enabling it to connect from the case exterior while connecting the end section of the 1st flexible printed circuit board to the internal-circuitry substrate held in the case of an electric junction box.

[Claim 2] The electric junction box according to claim 1 with which the substrate plug section of the shape of a hood which projects in the method of outside from a case is prepared in the 1st opening of the above-mentioned case.

[Claim 3] It is the electric junction box according to claim 1 or 2 connected the other end of this 2nd flexible printed circuit board to connector housing, and this connector housing was attached in the 2nd opening of a case, and inserts a harness side connector free [ attachment and detachment ], and it enabled it to connect from the case exterior while connecting the end section of the 2nd flexible printed circuit board to the slot in connector.

[Claim 4] The above-mentioned slot in connector is an electric junction box given in either of claim 1 to claims 3 were formed in two or more steps, and inserts a printed circuit board in each stage, respectively, and it enabled it to connect to it.

[Claim 5] The above-mentioned slot in connector is an electric junction box according to claim 4 with which the splice circuit is formed in the printed circuit board which inserts in the 2nd step and connects while being formed in two steps and forming an electronic

unit circuit in the printed circuit board which inserts in the 1st step and connects.

[Claim 6] The above-mentioned slot in connector is an electric junction box according to claim 4 with which the functional circuit according to grade is formed in the printed circuit board which inserts in the 2nd step and connects while being formed in two steps and forming a functional circuit common to between types of a car in the printed circuit board which inserts in the 1st step and connects.

---

#### DETAILED DESCRIPTION

---

[Detailed Description of the Invention]

[0001]

[Field of the Invention] It relates to the electric junction box for which a printed circuit board is easily exchangeable while the degree of freedom of this invention of circuit \*\*\*\* improves.

[0002]

[Description of the Prior Art] The electric junction box used for carrying out multipoint connection of the wire harness for automobiles etc. to various electronic autoparts centralizes a multipoint connection point on one place, and carries out multipoint connection of the wiring rationally and economically, and the thing of various formats is developed according to vehicle classification or an application in connection with the densification of wire harness.

[0003] As shown in drawing 5 (A), while holding the internal-circuitry substrate 5 which carries out the laminating of a bus bar 3 and the electric insulating plate 4 to an upper case 1 and a lower case 2, and becomes them as above electric junction boxes, there are some which insert a fuse 6, an electronic unit 7, and relay 8 grade in the tab terminal of a bus bar 3, and are connected to it from the exterior of cases 1 and 2 (body type classified by electronic unit).

[0004] Moreover, as shown in drawing 5 (B), the internal-circuitry substrate 5 which carries out the laminating of a bus bar 3 and the electric insulating plate 4 to an upper case 1 and a lower case 2, and becomes them is held. While inserting in the tab terminal of the bus bar 3 of this internal-circuitry substrate 5 the printed circuit board 9 in which the electronic unit circuit was formed, by connectors 10 and 10 and connecting with it There are some which insert a fuse 6 and relay 8 grade in the tab terminal of a bus bar 3, and are connected to it from the exterior of cases 1 and 2 (electronic unit one type).

[0005] In addition, in drawing 5 (A) and (B), 11 is the connector plug section for inserting an external harness side connector in the tab terminal of a bus bar 3, and connecting.

[0006]

[Problem(s) to be Solved by the Invention] However, since the above-mentioned body type classified by electronic unit needs an exclusive case for the printed circuit board 9 of an electronic unit 7, it becomes cost high. Moreover, since a type holds a printed circuit board 9 in both the cases 1 and 2, a difficulty is really [ above-mentioned / electronic unit ] in maintenance nature, such as exchange of a printed circuit board 9.

[0007] On the other hand, since the male terminal for inserting the printed circuit board 9 of an electronic unit in the tab terminal (male end child) of a bus bar 3, and connecting is needed, an electronic unit enlarges both types. moreover, circuit \*\*\*\* restricts with the pitch of a bus bar 3 -- having -- a multi-electrode and \*\* - - pitch circuit \*\*\*\* is not made. Furthermore, the electric junction box and the electronic unit were set up for every type of a car by limit of circuit \*\*\*\* etc., and there was little versatility.

[0008] It aims at offering the electric junction box for which a printed circuit board is easily exchangeable while this invention was made in order to solve the above-mentioned conventional problem, and its degree of freedom of circuit \*\*\*\* improves.

[0009]

[Means for Solving the Problem] In order to solve the above-mentioned technical problem, while this invention connects the end section of the 1st flexible printed circuit board to the internal-circuitry substrate held in the case of an electric junction box, the other end of this 1st flexible printed circuit board is connected to a slot in connector, this slot in connector is attached in the 1st opening of a case, and the electric junction box characterized by insert a printed circuit board free [ attachment and detachment ], and enable it to connect from the case exterior is offered.

[0010] According to this invention, the circuit board within a case and the slot in connector attached in the 1st opening of a case are connected by the 1st flexible printed circuit board, and a printed circuit board is inserted in this slot in connector from the case exterior, enabling free attachment and detachment, and it connects with it.

[0011] That is, between the printed circuit boards (for example, an electronic unit circuit is formed) which inserted and connected with the slot in connector from the case exterior is connected with the bus bar (or solderless terminal for electric wires) of the circuit board within a case by the flexible printed circuit board.

[0012] Like claim 2, while being able to prevent that a case becomes thick by the configuration in which the substrate plug section of the shape of a hood which projects in the method of outside from a case is prepared, then the thickness of a printed circuit board, from the upper part, a printed circuit board is inserted in a slot in connector free [ attachment and detachment ], and is connectable with the 1st opening of the above-mentioned case.

[0013] Like claim 3, while connecting the end section of the 2nd flexible printed circuit board to a slot in connector The other end of this 2nd flexible printed circuit board is connected to connector housing. This connector housing If it considers as the configuration were attached in the 2nd opening of a case, and inserts a harness side connector free [ attachment and detachment ], and it enabled it to connect from the case exterior The printed circuit board which inserted and connected with the slot in connector, and connector housing of the 2nd opening of a case can be connected without making it go via the bus bar of the circuit board within a case etc.

[0014] Like claim 4, the above-mentioned slot in connector is formed in two or more steps, changes the configuration inserts a printed circuit board in each stage, respectively, and it enabled it to connect to it, then the class of printed circuit board, and can change circuitry.

[0015] That is, a loading tooth space becomes small by processing the small current field by the side of an electric junction box in a splice circuit, while an electronic unit circuit and splice circuit is incorporable into the configuration in which the splice circuit is formed in the printed circuit board which inserts in the 2nd step and connects while an electronic unit circuit is formed in the printed circuit board which the above-mentioned slot in connector is formed in two steps like claim 5, inserts in the 1st step, and connects, then an electric junction box at a compact, respectively.

[0016] Like claim 6, grade response and common use-ization of an electric junction box are made by the above-mentioned slot in connector at the printed circuit board which inserts in the 2nd step and connects only in the configuration in which the functional circuit according to grade is formed, then exchange of a printed circuit board while being formed in two steps and forming a functional circuit common to between types of a car in the printed circuit board which inserts in the 1st step and connects.

[0017]

[Embodiment of the Invention] Hereafter, the gestalt of operation of this invention is explained to a detail with reference to a drawing. In addition, the part of the same configuration as the conventional technique and an operation attaches the same number, and detailed

explanation is omitted.

[0018] As shown in drawing 1 and drawing 2 , an electric junction box is equipped with an upper case 1 and a lower case 2, and the circuit board 5 which comes to carry out the laminating of an electric insulating plate 4 and the bus bar 3 is held in the interior of both these cases 1 and 2.

[0019] While connector plug section 11A which inserts harness side connector 12A and is connected from the case exterior is prepared, it projects from an upper case 1 to the method of outside at a right angle, and the substrate plug section (the 1st opening) 14 of the shape of an oblong rectangle hood which inserts the printed circuit board unit 13 (A, B), and is connected from the case exterior is formed in the outside surface of the above-mentioned upper case 1.

[0020] While connector plug section 11B which inserts harness side connector 12B and is connected from the case exterior is prepared, the openings (the 2nd opening) 11C and 11D which attach the connector housing 17 which inserts harness side connector 12C and is connected from the case exterior are formed in the outside surface of the above-mentioned lower case 2.

[0021] While tab terminal 3a by the side of the upper case of the bus bar 3 of the above-mentioned circuit board 5 is \*\*\*\*(ed) by connector plug section 11A of the above-mentioned upper case 1, tab terminal 3b by the side of the lower case of the bus bar 3 of the above-mentioned circuit board 5 is \*\*\*\*(ed), and the male terminal of each harness side connectors 12A and 12B is inserted in connector plug section 11B of a lower case 2, respectively, and it connects [ at it ] with each of these tab terminals (male end child) 3a and 3b.

[0022] The oblong rectangle-like printed circuit boards 13A and 13B of two sheets (PCB) separate a predetermined clearance, are prepared in two steps of upper and lower sides, and each printed circuit boards 13A and 13B are supported with the electrode holder 18 of the letter of the abbreviation for U characters in the both-sides section and anterior part by the above-mentioned printed circuit board unit 13.

[0023] When this anterior part 18a is held by hand and each printed circuit boards 13A and 13B are inserted in the substrate plug section 14 of an upper case 1, anterior part 18a of the above-mentioned electrode holder 18 serves as the lid which closes inlet-port 14a of the substrate plug section 14, and comes to be locked by lock section 14b free [ attachment and detachment ] in the location which closed inlet-port 14a.

[0024] The rail slots 18c and 18c of the direction of a plug are formed, respectively, and when inserting each printed circuit boards 13A and 13B in the substrate plug section 14, each of this rail slot

18c fits into the rail heights 14c and 14c formed in both the medial surfaces of the substrate plug section 14, respectively, and comes to be smoothly guided to the lateral surface of the both-sides sections 18b and 18b of the above-mentioned electrode holder 18. If the vertical location of this rail slot 18c and rail heights 14c is changed on both sides, mistaking and inserting the vertical location of each printed circuit boards 13A and 13B can prevent beforehand.

[0025] In the back of the above-mentioned substrate plug section 14, the slot in connector 19 is attached by lock section 14b. To this slot in connector 19 As shown in drawing 4 , the cavity which inserts the back of each printed circuit boards 13A and 13B of the above-mentioned printed circuit board unit 13, respectively is formed in two steps of upper and lower sides. To each of this cavity The spring-like terminals 19a and 19b in contact with each terminal terminals 13a and 13b of printed circuit boards 13A and 13B are formed, respectively.

[0026] While forming electronic unit circuit 20A in printed circuit board 13A of an upper case among the above-mentioned printed circuit boards 13A and 13B, splice circuit 20B as shown in drawing 3 (B) is formed in printed circuit board 13B of the lower berth. Or while forming functional circuit (electronic unit circuit) 20C common to between types of a car in printed circuit board 13A of an upper case, for example, functional circuit 20D according to grade as shown in drawing 3 (A) is formed in printed circuit board 13B of the lower berth.

[0027] On the other hand, as shown in drawing 1 and drawing 2 , while connecting to the bus bar 3 by the side of the upper case of the circuit board 5 end section 21a of both the above-mentioned cases 1 and the 1st flexible printed circuit board (FPC) 21 held in two, other end 21b is connected to spring-like terminal 19a of the upper case of the slot in connector 19.

[0028] Moreover, while connecting end section 22a of the 2nd flexible printed circuit board 22 to spring-like terminal 19b of the lower berth of the slot in connector 19, male end child 17a of the above-mentioned connector housing 17 is connected to other end side 22b, and this connector housing 17 is inserted in opening 11D of a lower case 1, the male terminal of harness side connector 12C is inserted in male end child 17a of installation and this connector housing 17 by lock section 11a, and it connects.

[0029] Similarly, while connecting end section 23a of the 3rd flexible printed circuit board 23 to the bus bar 3 by the side of the lower case of the circuit board 5, male end child 16a of the connector housing 16 is connected to other end 23b, and this connector housing 16 is inserted in opening 11C of a lower case 1,

the male terminal of a harness side connector (not shown) is inserted in male end child 16a of installation and this connector 16, and it connects.

[0030] An operation of the electric junction box constituted as mentioned above is explained below.

[0031] Since the above-mentioned case 1, and the circuit board 5 in two and the slot in connector 19 of the substrate plug section 14 of an upper case 1 are connected by the 1st flexible printed circuit board 21, and printed circuit boards 13A and 13B are inserted in this slot in connector 19 from the case exterior, enabling free attachment and detachment and it can connect with it, it can \*\*\*\* in the location and layer of arbitration of a bus bar 3 freely by the 1st flexible printed circuit board 21 (the same is said of the 3rd flexible printed circuit board 23).

[0032] moreover, the 1st flexible printed circuit board 21 (the same is said of the 2nd and 3rd flexible printed circuit board 22 and 23) -- pitch conversion -- easy -- it can carry out -- a multi-electrode and \*\* -- pitch circuit \*\*\*\* becomes possible.

[0033] Furthermore, since printed circuit boards 13A and 13B can be inserted and connected to the slot in connector 19, a male terminal like before etc. becomes unnecessary and they can miniaturize printed circuit boards (electronic unit etc.) 13A and 13B.

[0034] Since printed circuit boards 13A and 13B are inserted in the slot in connector 19 of the substrate plug section 14 of an upper case 1 free [ attachment and detachment ] and are connectable with it from the case exterior, they can perform easily exchange of printed circuit boards (electronic unit etc.) 13A and 13B, and its maintenance nature is good further again.

[0035] On the other hand, since the slot in connector 19 and the connector housing 17 are connected by the 2nd flexible printed circuit board 22 and printed circuit board 13B and the connector housing 17 can be connected without making it go via a case 1 and the bus bar 3 of the circuit board 5 in two, direct input/output can be performed to printed circuit board 13B from harness side connector 12C.

[0036] The I/O to printed circuit board 13B from the bus bar 3 side of the circuit board 5 becomes good only by either by this, and the circuit of a bus bar 3 can be used effectively. Moreover, the 2nd flexible printed circuit board 22 can be \*\*\*\*(ed) in a \*\* pitch by carrying out direct input/output of the small current field to printed circuit board 13B from harness side connector 12C.

[0037] Furthermore, if printed circuit board 13A which formed the above-mentioned slot in connector 19 in two steps, and formed electronic unit circuit 20A in the upper case is connected and



printed circuit board 13B which formed splice circuit 20B in the lower berth is connected, electronic unit circuit 20A and splice circuit 20B can be included in a compact in a case 1 and 2, respectively.

[0038] In addition, if printed circuit board 13A in which functional circuit 20C common to between types of a car was formed on the upper case is connected and printed circuit board 13B which formed functional circuit 20D according to grade in the lower berth is connected, grade response and common use-ization of an electric junction box can be performed only in exchange of printed circuit boards 13A and 13B.

[0039]

[Effect of the Invention] since the electric junction box of this invention connected with the bus bar of the circuit board within a case etc. between the printed circuit boards which inserted and connected with the slot in connector by the flexible printed circuit board so that clearly also from the above explanation, while being able to \*\*\*\* from the bus bar location and bus bar layer of arbitration in a flexible printed circuit board -- a flexible printed circuit board -- pitch conversion -- easy -- it can carry out -- a multi-electrode and \*\* -- pitch circuit \*\*\*\* becomes possible. Moreover, since a printed circuit board can be inserted and connected to a slot in connector, a male terminal etc. becomes unnecessary and it can miniaturize printed circuit boards (electronic unit etc.).

[0040] Furthermore, since a printed circuit board is inserted in the slot in connector within a case free [ attachment and detachment ] and is connectable with it from the case exterior, exchange of a printed circuit board can be performed easily and maintenance nature becomes good.

[0041] Moreover, since the upper part to a printed circuit board inserts free [ the attachment and detachment to a slot in connector ] and it can connect while being able to prevent that a case will become thick by the thickness of a printed circuit board if the hood [ which projects in the 1st opening of a case like claim 2 at the method of the outside from a case ]-like substrate plug section is prepared, the activity of exchange of a printed circuit board etc. becomes easy.

[0042] furthermore, claim 3 -- like -- the, if 2 flexible print is connected to a slot in connector and connector housing, and a harness side connector is inserted in connector housing free [ attachment and detachment ] and it enables it to connect with it from the case exterior Since a printed circuit board and connector housing can be connected without making it go via the bus bar of the circuit board within a case etc., and direct input/output can be performed to a

printed circuit board from a harness side connector While the I/O to a printed circuit board from the bus bar side of the circuit board becomes good only by either and being able to use the circuit of a bus bar effectively By carrying out direct input/output of the small current field to a printed circuit board from a harness side connector, a flexible printed circuit board can be \*\*\*\*(ed) now in a \*\* pitch.

[0043] Like claim 3, if the printed circuit board of two or more sheets is inserted in a slot in connector and it enables it to connect with it, the versatility of an electric junction box will come to improve by changing the class of printed circuit board and changing circuitry further again.

[0044] Especially, like claim 5, if the printed circuit board in which the electronic unit circuit was formed, and the printed circuit board in which the splice circuit was formed are inserted and it connects, while an electronic unit circuit and a splice circuit are incorporable into an electric junction box at a compact, respectively, a loading tooth space becomes small by processing the small current field by the side of an electric junction box in a splice circuit.

[0045] Moreover, if the printed circuit board in which the functional circuit common to between types of a car was formed, and the printed circuit board in which the functional circuit according to grade was formed are inserted like claim 6 and it connects, grade response and common use-ization of an electric junction box can be performed only in exchange of a printed circuit board, and the versatility of an electric junction box will come to improve further.

---

#### DESCRIPTION OF DRAWINGS

---

[Brief Description of the Drawings]

[Drawing 1] It is the decomposition perspective view of the electric junction box of this invention.

[Drawing 2] It is the important section sectional view of an electric junction box.

[Drawing 3] (A) is the perspective view of the printed circuit board of the 1st example, and (B) is the perspective view of the printed circuit board of the 2nd example.

[Drawing 4] (A) is the perspective view of a slot in connector and a printed circuit board, and (B) is the sectional view of a slot in connector.

[Drawing 5] (A) and (B) are the decomposition perspective views of the conventional electric junction box, respectively.

[Description of Notations]

1 Upper Case

2 Lower Case

3 Bus Bar

5 Circuit Board

11A, 11B Connector plug section

11C Opening (the 2nd opening)

12A-12C Harness side connector

13 Printed Circuit Board Unit

13A, 13B Printed circuit board

14 Substrate Plug Section (1st Opening)

16 17 Connector housing

19 Slot in Connector

20A-20D Circuit

21-23 Flexible printed circuit board

---

(19) 日本国特許庁 (J P)

(12) 公開特許公報 (A)

(11) 特許出願公開番号

特開平11-41752

(43) 公開日 平成11年(1999) 2月12日

(51) Int.Cl.<sup>9</sup>

識別記号

F I

H 0 2 G 3/16

H 0 2 G 3/16

A

H 0 1 R 23/68

H 0 1 R 23/68

Z

審査請求 未請求 請求項の数 6 O L (全 7 頁)

(21) 出願番号

特願平9-194121

(22) 出願日

平成9年(1997) 7月18日

(71) 出願人 395011665

株式会社ハーネス総合技術研究所

愛知県名古屋市南区菊住1丁目7番10号

(71) 出願人 000183406

住友電装株式会社

三重県四日市市西末広町1番14号

(71) 出願人 000002130

住友電気工業株式会社

大阪府大阪市中央区北浜四丁目5番33号

(72) 発明者 山根 茂樹

愛知県名古屋市南区菊住1丁目7番10号

株式会社ハーネス総合技術研究所内

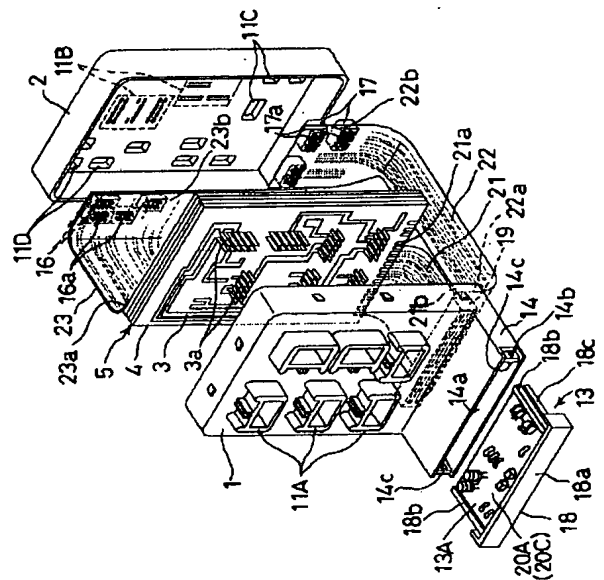
(74) 代理人 弁理士 小谷 悦司 (外3名)

(54) 【発明の名称】 電気接続箱

(57) 【要約】

【課題】 回路配線の自由度が向上すると共に、プリント基板の交換が容易に行なえるようにする。

【解決手段】 電気接続箱のケース1, 2内の回路基板5に第1フレキシブルプリント基板21の一端部21aを接続し、他端部21bをスロットインコネクタ19に接続して、スロットインコネクタ19をケース1の第1開口14に取り付けて、ケース外部からプリント基板13A, 13Bを着脱自在に差し込み接続できるようにした。



## 【特許請求の範囲】

【請求項1】 電気接続箱のケースに收容される内部回路基板に第1フレキシブルプリント基板の一端部を接続すると共に、この第1フレキシブルプリント基板の他端部をスロットインコネクタに接続して、このスロットインコネクタは、ケースの第1開口に取り付けられて、ケース外部からプリント基板を着脱自在に差し込み接続できるようにしたことを特徴とする電気接続箱。

【請求項2】 上記ケースの第1開口には、ケースから外方に突出するフード状の基板差し込み部が設けられている請求項1に記載の電気接続箱。

【請求項3】 第2フレキシブルプリント基板の一端部をスロットインコネクタに接続すると共に、この第2フレキシブルプリント基板の他端部をコネクタハウジングに接続して、このコネクタハウジングは、ケースの第2開口に取り付けられて、ケース外部からハーネス側コネクタを着脱自在に差し込み接続できるようにした請求項1又は請求項2に記載の電気接続箱。

【請求項4】 上記スロットインコネクタは複数段に形成されて、各段にプリント基板をそれぞれ差し込み接続できるようにした請求項1から請求項3のいずれかに記載の電気接続箱。

【請求項5】 上記スロットインコネクタは2段に形成されて、1段目に差し込み接続するプリント基板には電子ユニット回路が形成されると共に、2段目に差し込み接続するプリント基板にはスプライス回路が形成されている請求項4に記載の電気接続箱。

【請求項6】 上記スロットインコネクタは2段に形成されて、1段目に差し込み接続するプリント基板には車種間共通の機能回路が形成されると共に、2段目に差し込み接続するプリント基板にはグレード別の機能回路が形成されている請求項4に記載の電気接続箱。

## 【発明の詳細な説明】

## 【0001】

【発明の属する技術分野】本発明は、回路配線の自由度が向上すると共に、プリント基板の交換が容易に行なえる電気接続箱に関する。

## 【0002】

【従来の技術】自動車用ワイヤーハーネス等を種々の電装品に分岐接続するのに用いられる電気接続箱は、分岐接続点を1個所に集中させて、配線を合理的かつ経済的に分岐接続するものであり、ワイヤーハーネスの高密度化に伴って、車種別又は用途別に種々の形式のものが開発されている。

【0003】上記のような電気接続箱としては、図5

(A)に示すように、アッパーケース1とロアケース2に、バスバー3と絶縁板4とを積層してなる内部回路基板5を收容すると共に、ケース1、2の外部からバスバー3のタブ端子にヒューズ6、電子ユニット7、リレー8等を差し込み接続するものがある(電子ユニット別体

タイプ)。

【0004】また、図5(B)に示すように、アッパーケース1とロアケース2に、バスバー3と絶縁板4とを積層してなる内部回路基板5を收容して、この内部回路基板5のバスバー3のタブ端子に、電子ユニット回路を形成したプリント基板9をコネクタ10、10で差し込み接続すると共に、ケース1、2の外部からバスバー3のタブ端子にヒューズ6、リレー8等を差し込み接続するものがある(電子ユニット一体タイプ)。

【0005】なお、図5(A)(B)において、11は、外部のハーネス側コネクタをバスバー3のタブ端子に差し込み接続するためのコネクタ差し込み部である。

## 【0006】

【発明が解決しようとする課題】しかしながら、上記電子ユニット別体タイプは、電子ユニット7のプリント基板9に専用ケースを必要とするのでコスト高になる。また、上記電子ユニット一体タイプは、両ケース1、2内にプリント基板9を收容するので、プリント基板9の交換等のメンテナンス性に難点がある。

【0007】一方、両タイプは、電子ユニットのプリント基板9をバスバー3のタブ端子(雄端子)に差し込み接続するための雌端子が必要となるので、電子ユニットが大型化する。また、バスバー3のピッチにより回路配線が制限されて、多極・狭ピッチな回路配線ができな。さらに、回路配線の制限等により、電気接続箱及び電子ユニットが車種毎に設定されて汎用性が少なかった。

【0008】本発明は、上記従来の問題を解決するためになされたもので、回路配線の自由度が向上すると共に、プリント基板の交換が容易に行なえる電気接続箱を提供することを目的とするものである。

## 【0009】

【課題を解決するための手段】上記課題を解決するために、本発明は、電気接続箱のケースに收容される内部回路基板に第1フレキシブルプリント基板の一端部を接続すると共に、この第1フレキシブルプリント基板の他端部をスロットインコネクタに接続して、このスロットインコネクタは、ケースの第1開口に取り付けられて、ケース外部からプリント基板を着脱自在に差し込み接続できるようにしたことを特徴とする電気接続箱を提供するものである。

【0010】本発明によれば、ケース内の回路基板とケースの第1開口に取り付けたスロットインコネクタとを第1フレキシブルプリント基板で接続して、このスロットインコネクタにケース外部からプリント基板を着脱自在に差し込み接続する。

【0011】即ち、ケース内の回路基板のバスバー(若しくは電線用圧接端子)と、ケース外部からスロットインコネクタに差し込み接続したプリント基板(例えば、電子ユニット回路を形成)との間をフレキシブルプリン

ト基板で接続する。

【0012】請求項2のように、上記ケースの第1開口には、ケースから外方に突出するフード状の基板差し込み部が設けられている構成とすれば、プリント基板の厚み分だけケースが厚くなるのを防止できると共に、プリント基板は上方からスロットインコネクタに着脱自在に差し込み接続できる。

【0013】請求項3のように、第2フレキシブルプリント基板の一端部をスロットインコネクタに接続すると共に、この第2フレキシブルプリント基板の他端部をコネクタハウジングに接続して、このコネクタハウジングは、ケースの第2開口に取り付けられて、ケース外部からハーネス側コネクタを着脱自在に差し込み接続できるようにした構成とすれば、スロットインコネクタに差し込み接続したプリント基板と、ケースの第2開口のコネクタハウジングとを、ケース内の回路基板のバスバー等を経由させないで接続できる。

【0014】請求項4のように、上記スロットインコネクタは複数段に形成されて、各段にプリント基板をそれぞれ差し込み接続できるようにした構成とすれば、プリント基板の種類を変えて回路構成を変更できる。

【0015】即ち、請求項5のように、上記スロットインコネクタは2段に形成されて、1段目に差し込み接続するプリント基板には電子ユニット回路が形成されると共に、2段目に差し込み接続するプリント基板にはスプライス回路が形成されている構成とすれば、電気接続箱に電子ユニット回路とスプライス回路とをそれぞれコンパクトに組み込めると共に、電気接続箱側の小電流領域をスプライス回路で処理することにより、搭載スペースが小さくなる。

【0016】請求項6のように、上記スロットインコネクタは2段に形成されて、1段目に差し込み接続するプリント基板には車種間共通の機能回路が形成されると共に、2段目に差し込み接続するプリント基板にはグレード別の機能回路が形成されている構成とすれば、プリント基板の交換のみでグレード対応及び電気接続箱の共用化ができる。

【0017】

【発明の実施の形態】以下、本発明の実施の形態を図面を参照して詳細に説明する。なお、従来技術と同一構成・作用の箇所は同一番号を付して詳細な説明は省略する。

【0018】図1及び図2に示すように、電気接続箱は、アップパーケース1とロアケース2とを備え、この両ケース1、2の内部には、絶縁板4とバスバー3とを積層してなる回路基板5が收容されている。

【0019】上記アップパーケース1の外面には、ケース外部からハーネス側コネクタ12Aを差し込み接続するコネクタ差し込み部11Aが設けられると共に、アップパーケース1から直角に外方へ突出して、ケース外部から

プリント基板ユニット13(A、B)を差し込み接続する横長長方形フード状の基板差し込み部(第1開口)14が設けられている。

【0020】上記ロアケース2の外面には、ケース外部からハーネス側コネクタ12Bを差し込み接続するコネクタ差し込み部11Bが設けられると共に、ケース外部からハーネス側コネクタ12Cを差し込み接続するコネクタハウジング17を取り付ける開口(第2開口)11C、11Dが設けられている。

【0021】上記アップパーケース1のコネクタ差し込み部11Aには、上記回路基板5のバスバー3のアップパーケース側のタブ端子3aが臨まされると共に、ロアケース2のコネクタ差し込み部11Bには、上記回路基板5のバスバー3のロアケース側のタブ端子3bが臨まされて、この各タブ端子(雄端子)3a、3bに各ハーネス側コネクタ12A、12Bの雌端子をそれぞれ差し込み接続するようになっている。

【0022】上記プリント基板ユニット13には、横長長方形形状の2枚のプリント基板(PCB)13A、13Bが所定の隙間を隔てて上下2段に設けられて、各プリント基板13A、13Bは、両側部と前部とを略U字状のホルダー18で支持されている。

【0023】上記ホルダー18の前部18aは、この前部18aを手で掴んで各プリント基板13A、13Bをアップパーケース1の基板差し込み部14に差し込んだときに、基板差し込み部14の入口14aを閉じる蓋を兼ねていて、入口14aを閉じた位置でロック部14bにより着脱自在にロックされるようになる。

【0024】上記ホルダー18の両側部18b、18bの外側面には、差し込み方向のレール溝18c、18cがそれぞれ形成されて、この各レール溝18cは、各プリント基板13A、13Bを基板差し込み部14に差し込むときに、基板差し込み部14の両内側面にそれぞれ形成されたレール凸部14c、14cに嵌合してスムーズにガイドされるようになる。このレール溝18cとレール凸部14cの上下位置を両側で異ならせると、各プリント基板13A、13Bの上下位置を間違えて差し込むのが未然に防止できる。

【0025】上記基板差し込み部14の奥内には、スロットインコネクタ19がロック部14bで取り付けられ、このスロットインコネクタ19には、図4に示したように、上記プリント基板ユニット13の各プリント基板13A、13Bの後部をそれぞれ差し込むキャビティが上下2段に形成されて、この各キャビティには、プリント基板13A、13Bの各端末端子13a、13bに接触するバネ状端子19a、19bがそれぞれ設けられている。

【0026】上記プリント基板13A、13Bの内、例えば上段のプリント基板13Aには電子ユニット回路20Aを形成すると共に、下段のプリント基板13Bに

は、図3(B)に示すようなスプライス回路20Bを形成する。あるいは、例えば上段のプリント基板13Aには車種間共通の機能回路(電子ユニット回路)20Cを形成すると共に、下段のプリント基板13Bには、図3(A)に示すようなグレード別の機能回路20Dを形成する。

【0027】一方、図1及び図2に示すように、上記両ケース1、2内に收容される第1フレキシブルプリント基板(FPC)21の一端部21aを回路基板5のアップパーケース側のバスバー3に接続すると共に、他端部21bをスロットインコネクタ19の上段のバネ状端子19aに接続する。

【0028】また、第2フレキシブルプリント基板22の一端部22aをスロットインコネクタ19の下段のバネ状端子19bに接続すると共に、他端側22bに上記コネクタハウジング17の雄端子17aを接続して、このコネクタハウジング17をロアケース1の開口11Dにロック部11aで取り付け、このコネクタハウジング17の雄端子17aにハーネス側コネクタ12Cの雌端子を差し込み接続する。

【0029】同様に、第3フレキシブルプリント基板23の一端部23aを回路基板5のロアケース側のバスバー3に接続すると共に、他端部23bにコネクタハウジング16の雄端子16aを接続して、このコネクタハウジング16をロアケース1の開口11Cに取り付け、このコネクタ16の雄端子16aにハーネス側コネクタ(図示せず。)の雌端子を差し込み接続する。

【0030】上記のように構成した電気接続箱の作用を次に説明する。

【0031】上記ケース1、2内の回路基板5とアップパーケース1の基板差し込み部14のスロットインコネクタ19とを第1フレキシブルプリント基板21で接続して、このスロットインコネクタ19にケース外部からプリント基板13A、13Bを着脱自在に差し込み接続できるから、第1フレキシブルプリント基板21(第3フレキシブルプリント基板23も同様)によりバスバー3の任意の位置及び層から自由に配線できる。

【0032】また、第1フレキシブルプリント基板21(第2、第3フレキシブルプリント基板22、23も同様)でピッチ変換が簡単に行なえて、多極・狭ピッチな回路配線が可能になる。

【0033】さらに、プリント基板13A、13Bはスロットインコネクタ19に差し込み接続できるから、従来のような雌端子等が不要になってプリント基板(電子ユニット等)13A、13Bが小型化できる。

【0034】さらにまた、プリント基板13A、13Bは、アップパーケース1の基板差し込み部14のスロットインコネクタ19にケース外部から着脱自在に差し込み接続できるので、プリント基板(電子ユニット等)13A、13Bの交換が容易にできてメンテナンス性が良好

である。

【0035】一方、スロットインコネクタ19とコネクタハウジング17とを第2フレキシブルプリント基板22で接続しているから、プリント基板13Bとコネクタハウジング17とをケース1、2内の回路基板5のバスバー3を経由させないで接続できるので、ハーネス側コネクタ12Cからプリント基板13Bに直接入出力が行なえる。

【0036】これにより、回路基板5のバスバー3側からプリント基板13Bへの入出力がいずれか一方のみでよくなって、バスバー3の回路を有効活用できる。また、小電流領域をハーネス側コネクタ12Cからプリント基板13Bに直接入出力することによって、第2フレキシブルプリント基板22を狭ピッチで配線できる。

【0037】さらに、上記スロットインコネクタ19を2段に形成して、上段に電子ユニット回路20Aを形成したプリント基板13Aを接続し、下段にスプライス回路20Bを形成したプリント基板13Bを接続すれば、ケース1、2内に電子ユニット回路20Aとスプライス回路20Bとをそれぞれコンパクトに組み込めるようになる。

【0038】なお、上段に車種間共通の機能回路20Cを形成したプリント基板13Aを接続し、下段にグレード別の機能回路20Dを形成したプリント基板13Bを接続すれば、プリント基板13A、13Bの交換のみでグレード対応及び電気接続箱の共用化ができる。

【0039】

【発明の効果】以上の説明からも明らかなように、本発明の電気接続箱は、ケース内の回路基板のバスバー等と、スロットインコネクタに差し込み接続したプリント基板との間をフレキシブルプリント基板で接続するようにしたから、フレキシブルプリント基板で任意のバスバー位置・バスバー層から配線できると共に、フレキシブルプリント基板でピッチ変換が簡単に行なえて、多極・狭ピッチな回路配線が可能になる。また、プリント基板はスロットインコネクタに差し込み接続できるから、雌端子等が不要になってプリント基板(電子ユニット等)が小型化できるようになる。

【0040】さらに、プリント基板は、ケース内のスロットインコネクタにケース外部から着脱自在に差し込み接続できるので、プリント基板の交換が容易にできてメンテナンス性が良好になる。

【0041】また、請求項2のように、ケースの第1開口に、ケースから外方に突出するフード状の基板差し込み部を設ければ、プリント基板の厚み分だけケースが厚くなるのを防止できると共に、上方からプリント基板はスロットインコネクタに着脱自在に差し込み接続できるので、プリント基板の交換等の作業が容易になる。

【0042】さらに、請求項3のように、第2フレキシブルプリントをスロットインコネクタとコネクタハウジ

ングとに接続して、コネクタハウジングにケース外部からハーネス側コネクタを着脱自在に差し込み接続できるようにすれば、プリント基板とコネクタハウジングとを、ケース内の回路基板のバスバー等を経由させないで接続できるようになり、ハーネス側コネクタからプリント基板に直接入出力が行なえるようになるので、回路基板のバスバー側からプリント基板への入出力がいずれか一方のみでよくなって、バスバーの回路を有効活用できると共に、小電流領域をハーネス側コネクタからプリント基板に直接入出力することによって、フレキシブルプリント基板を狭ピッチで配線できるようになる。

【0043】さらにまた、請求項3のように、スロットインコネクタに複数枚のプリント基板を差し込み接続できるようにすれば、プリント基板の種類を変えて回路構成を変更することにより、電気接続箱の汎用性が向上するようになる。

【0044】特に、請求項5のように、電子ユニット回路を形成したプリント基板とスプライス回路を形成したプリント基板とを差し込み接続すれば、電気接続箱に電子ユニット回路とスプライス回路とをそれぞれコンパクトに組み込めると共に、電気接続箱側の小電流領域をスプライス回路で処理することにより、搭載スペースが小さくなる。

【0045】また、請求項6のように、車種間共通の機能回路を形成したプリント基板とグレード別の機能回路を形成したプリント基板とを差し込み接続すれば、プリント基板の交換のみでグレード対応及び電気接続箱の共

用化ができて、電気接続箱の汎用性がさらに向上するようになる。

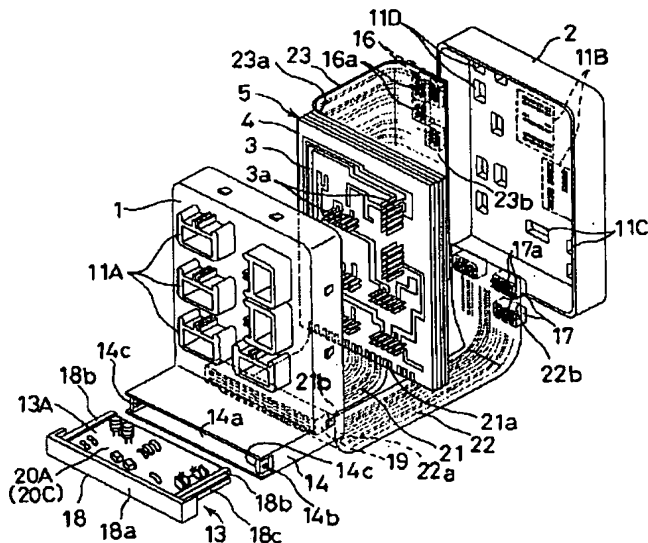
【図面の簡単な説明】

- 【図1】 本発明の電気接続箱の分解斜視図である。
- 【図2】 電気接続箱の要部断面図である。
- 【図3】 (A)は第1例のプリント基板の斜視図、(B)は第2例のプリント基板の斜視図である。
- 【図4】 (A)はスロットインコネクタとプリント基板の斜視図、(B)はスロットインコネクタの断面図である。
- 【図5】 (A) (B)は、それぞれ従来の電気接続箱の分解斜視図である。

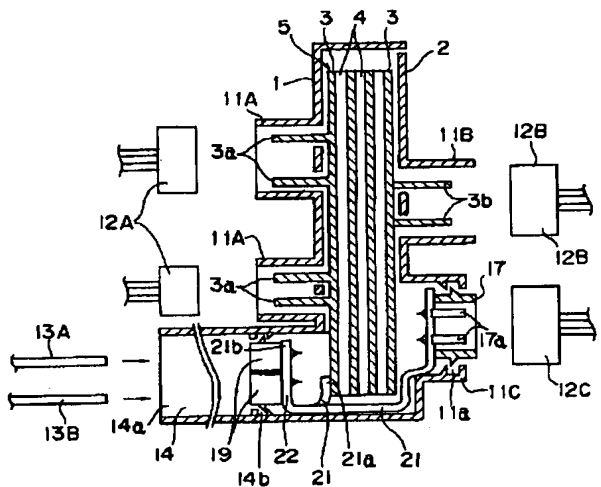
【符号の説明】

- 1 アッパーケース
- 2 ロアケース
- 3 バスバー
- 5 回路基板
- 11A, 11B コネクタ差し込み部
- 11C 開口(第2開口)
- 12A~12C ハーネス側コネクタ
- 13 プリント基板ユニット
- 13A, 13B プリント基板
- 14 基板差し込み部(第1開口)
- 16, 17 コネクタハウジング
- 19 スロットインコネクタ
- 20A~20D 回路
- 21~23 フレキシブルプリント基板

【図1】

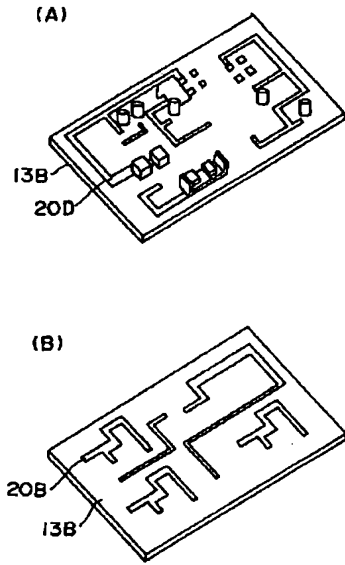


【図2】

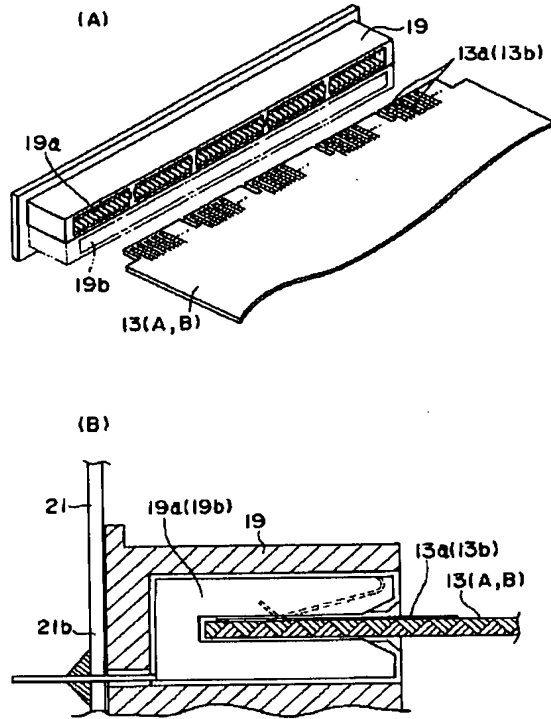




【図3】



【図4】



【図 5】

